

Junction Box



FEATURES

- Up to 4 transducers
- IP 65
- Clamp terminals
- Simple installation
- Equalizing resistors
- Stainless steel and painted enclosure

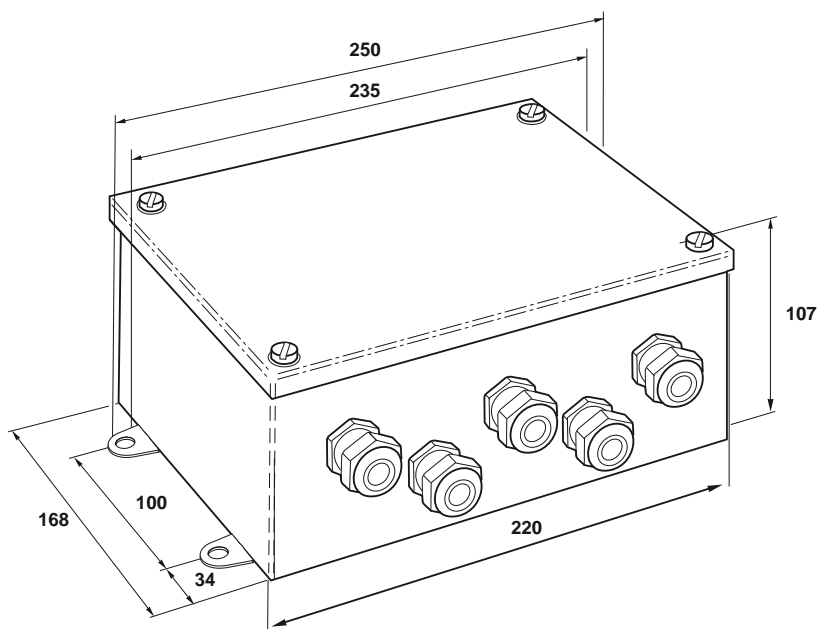
DESCRIPTION

The junction box allows fast and easy connection of many transducers to a single weighing instrument. It meets the requirements of IP 65 and NEMA 4+.

APPLICATIONS

- Weighing
- Force

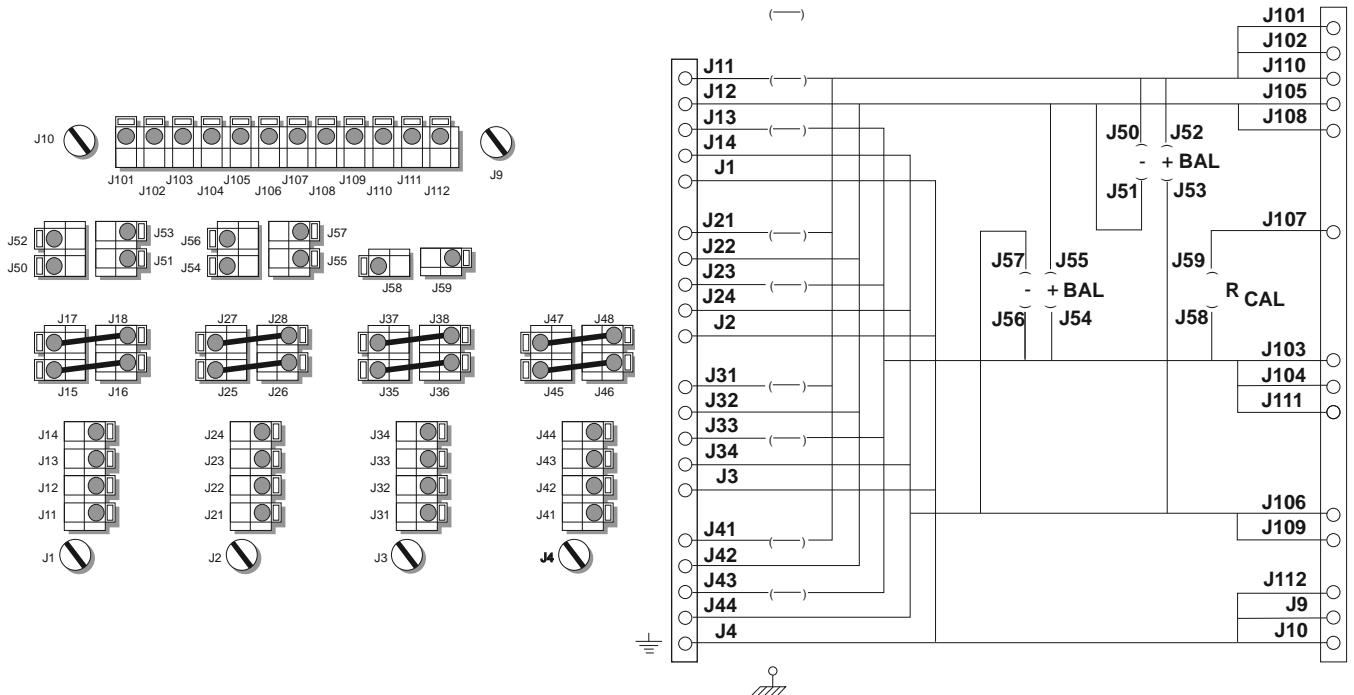
OUTLINE DIMENSIONS



SPECIFICATIONS

Capacity	up to four transducers	
Connections	Clamp terminals	
	Ground screws	
Operating temperature range	-10 to +55	°C
Storage temperature range	-25 to +85	°C
Board size	125 x 210	mm

DIMENSIONS



TRANSDUCER CONNECTION

LEAD FUNCTION	CLAMP TERMINALS	TRANSD. 2	TRANSD. 3	TRANSD. 4
Screen	J1	J2	J3	J4
Excitation +	J11	J21	J31	J41
Signal -	J12	J22	J32	J42
Excitation -	J13	J23	J33	J43
Signal +	J14	J24	J34	J44

INSTRUMENT CONNECTION, SIGNAL CABLE

LEAD FUNCTION	CLAMP TERMINALS	LEAD FUNCTION	CLAMP TERMINALS
Excitation +	J101	Screen	J10
Sense +	J102	Calibration	J107
Excitation -	J103	Signal +	J106
Sense -	J104	Signal -	J105

GROUND CONNECTION

1a. (All cable screens are connected to ground screws on the circuit card.) Connect the signal cable screen to ground close to the instrument, or via the instrument.

1b. If connection to ground at the instrument is not possible, then use the enclosed wire to connect J3 to the ground screw in the box.

2. Always connect the junction box body to ground.

NOTE: If you are using zener barriers you should connect to ground only at the barriers - not according to 1a or 1b.